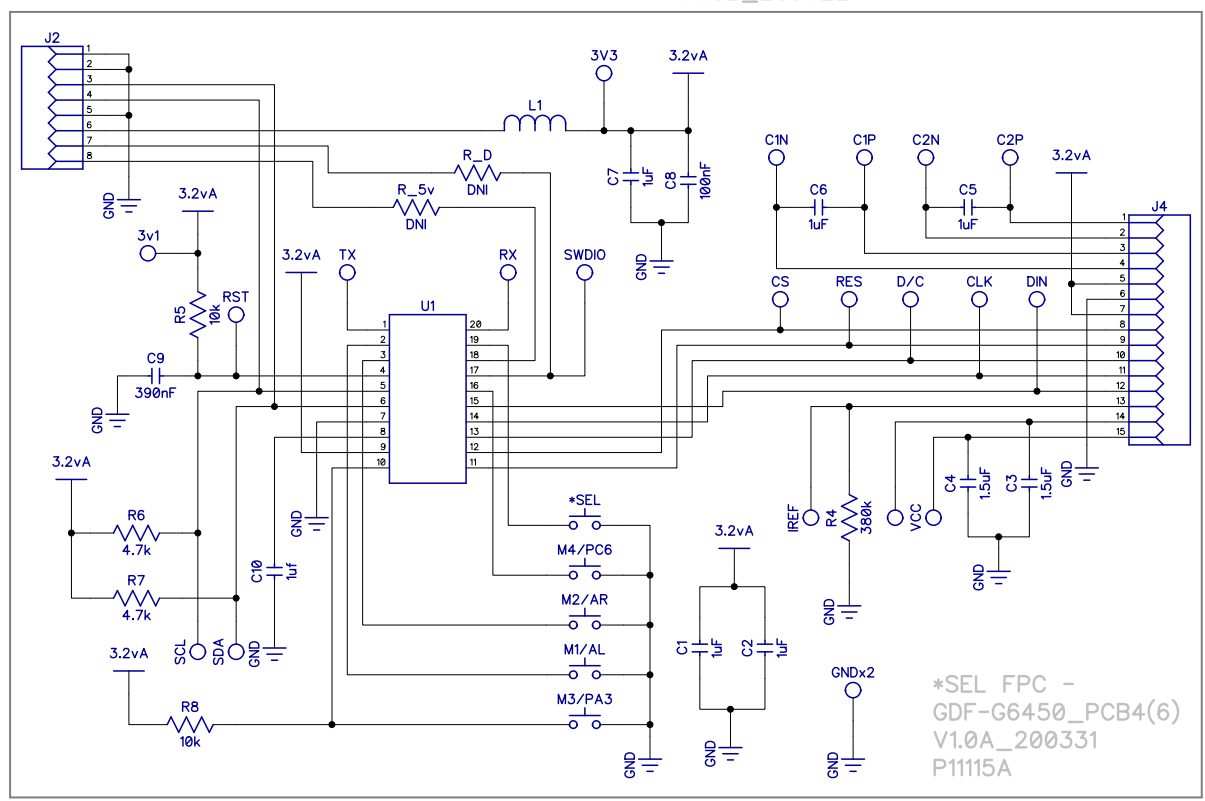
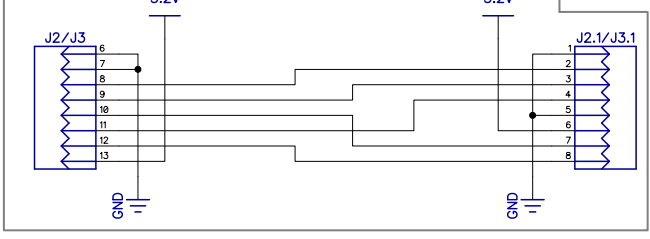
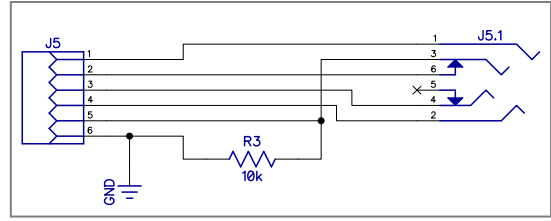
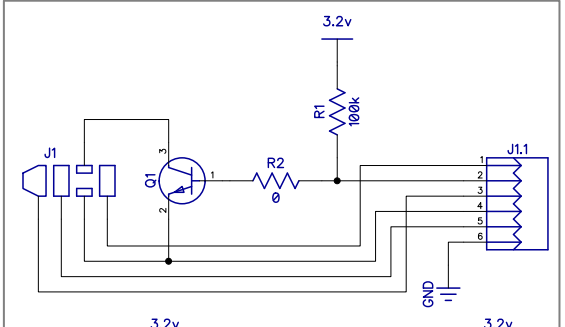


DUALSHOCK 4 CUHJ-15017 BACK BUTTON ATTACHMENT		
Size	Number	Rev
10-12-2020	RDC	0.1
Filename	Sheet	



PCB - GDF-G6450\_PCB3(6)-V5  
V1.5A\_200521.  
FPC - 309000319449R0

\*SEL FPC -  
GDF-G6450\_PCB4(6)  
V1.0A\_200331  
P11115A